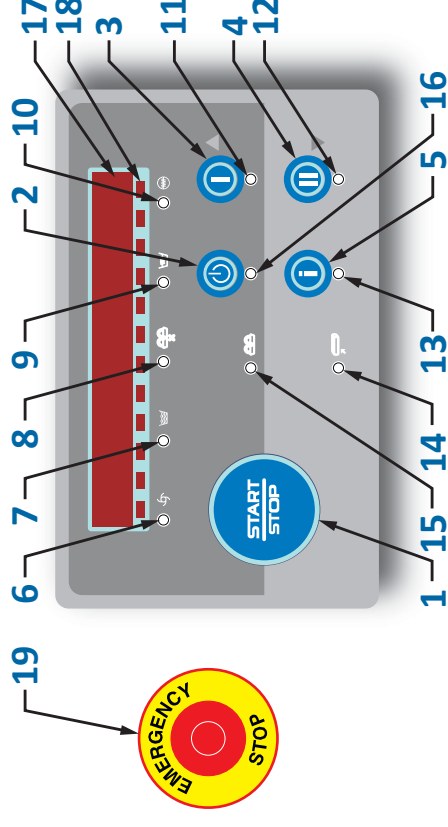


Before using the RX-164E COMPACT check the following:

- Is the power supply to the machine switched on?
- Is the overflow pipe and filters in place?
- Is there sufficient detergent and rinse aid?
- Is the water supply valve open?



- (1) Start/Stop button
- (2) ON/OFF
- (3) Speed selector (Minimum)
- (4) Speed selector (Maximum)
- (5) INFO key (Boiler/Tank/Pre wash/Date/Hours/Factory code/Firmware)
- (6) Flashing Green: Machine ON indicator
- (7) Green: Tanks filled indicator
- (8) Yellow: Basket limit switch
- (9) Yellow: Tank heating
- (10) Yellow: Boiler heating
- (11) Flashing Yellow: Intermittent boiler heating
- (12) Green: Lower Speed selection
- (13) Green: Higher Speed selection
- (14) Yellow: INFO menu
- (15) Green: Opened drawer
- (16) Green: Clear inlet for basket (Models with pre wash only)
- (17) Display with scrolling text
- (18) Scrolling LED bar
- (19) Emergency stop button

Starting the machine

1. Check that the overflow pipe is properly inserted in the drain and that the scrap screen filter and scrap screens are in their positions. Also check that the washing/rinse arms and curtains are properly installed.

**Please note that the long-narrow curtains are to be at the entry and exit and the wide-short ones go inside the machine.*

Close the doors and open the water supply valve. Turn on the wall-mounted main switch. Turn on the machine by pressing switch (2), this will start the tank filling process. Once filled, the indicator (7) turns Green. The water inside the rinsing boiler and the wash tank will start to heat indicated by (9) & (10) being Yellow. The display (17) will show HEATING with the alternate temperatures. Once the heating has finished the display (17) will show READY TO START.

2. If the machine is not equipped with a detergent dispensing unit, put the detergent into the wash tank by hand. In order to determine the exact amount of detergent, remember that the tank's capacity is about 100 litres.

Carefully follow the product manufacturer's instructions while bearing in mind the local water hardness characteristics. Add detergent every 10-12 minutes of continuous operation so as to maintain the correct dosage.

If the machine is provided with a detergent and rinse aid dispensing unit, do not alter the adjustments made by the installation technician at the time the system was put into operation.

End of washing

6. Press START/STOP (1) and then the ON/OFF button (2). Close the water supply valve. Turn off the wall-mounted main switch & open the doors.

7. Drain the wash tank and clean the filters at least twice a day.

Lift and remove the scrap screens (B) while being careful not to allow food residue to drop inside the wash tank. Lift the overflow pipe (A) into the open position and let the tank empty.

8. Wash the scrap screens (B) and pump suction filter (C) with a stiff brush under running water. Then thoroughly wash the bottom of the tank with a jet of water.

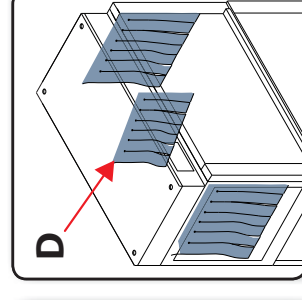
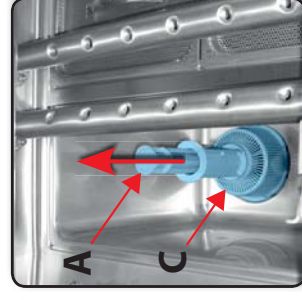
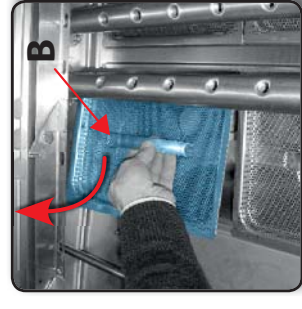


Fig (s). 2

9. Return the pump suction filter (C), put the overflow pipe (A) to the closed position and scrap screens (B) back to their positions.

**It is advisable to leave the doors open at the end of the day to prevent unpleasant odours from forming.*

Washing

3. The display (17) will show READY TO START. Set the desired speed using (3) & (4). Press START/STOP (1) to start the conveyer movement.

4. Thoroughly remove any residuals from the baskets so as to not clog filters, nozzles and filters, nozzles and pipes.

Load the baskets as shown in (Fig (s). 1). When washing crates place them upside down.

5. Start washing by pushing the baskets until they become coupled with the towing system. If a basket arrives at the end of the stroke position, its advancement stops and can be re-started by removing the basket.

**Do not remove the basket from the machine before it has come out of the tunnel. Do not put hands/arms inside the machine during operation, always stop the machine before putting your hands/arms inside.*

To stop the washing phase, press the STOP button (1) and to re-start, press START (1).

WARNING: In case a dangerous situation occurs push the emergency button (19).

Routine Maintenance

10. Perfect machine operation depends on careful cleaning which must be carried out at least once a day.

Turn off the switch (2) and the wall-mounted main switch. Drain the tank by lifting the overflow pipe into the open position.

Remove the scrap screens (B), and pump suction filter (C), curtains (D) and clean them with a brush underneath a strong jet of water. (See Fig (s). 2)

11. Remove the wash/rinse arms (E) and then the nozzles (F) and arm plugs (G). Carefully clean them all underneath running water. (See Fig (s). 3)

Reassemble all of the parts and replace the arms back in their positions.

Thoroughly wash the entry, exit & internal curtains (D).

12. Clean **sole no**id filters weekly (H) & (I). Open the filter by unscrewing it in an anti-clockwise direction (Fig (s). 4).

13. The exterior of the machine is to be cleaned when its surfaces are cold with non-foaming, non-acid, non-abrasive and above all non-chlorine based products.

Fig (s). 1

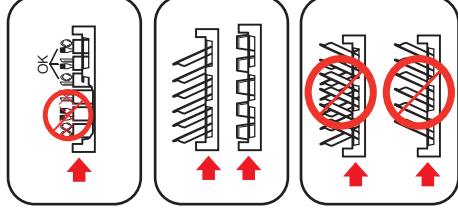


Fig (s). 3

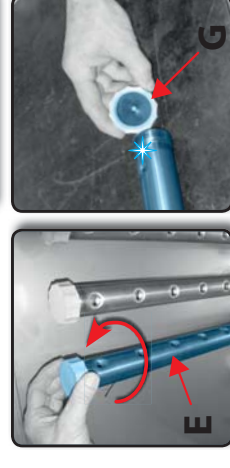


Fig (s). 4